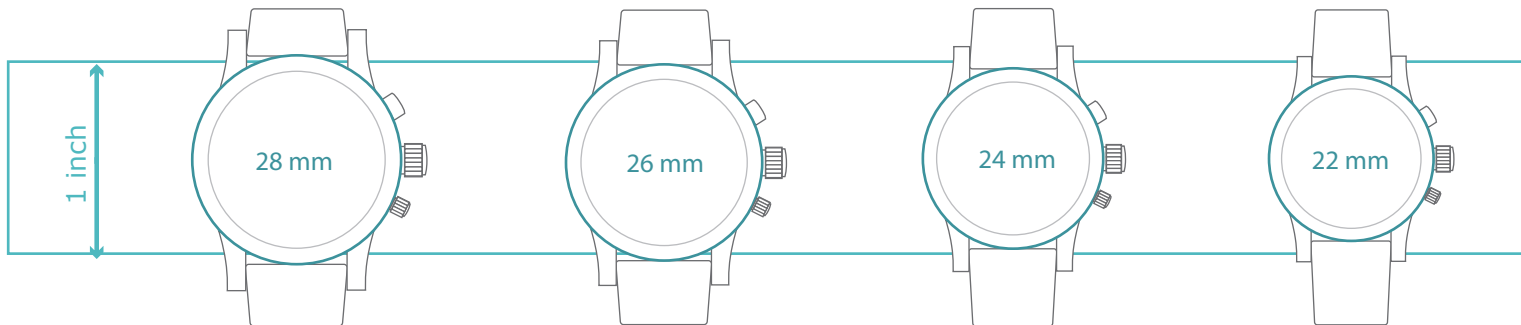
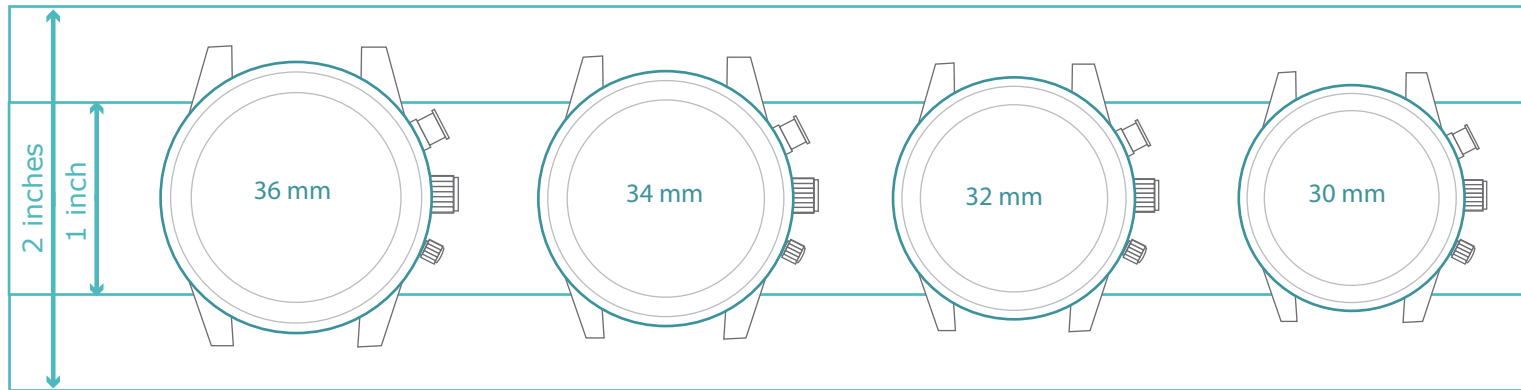
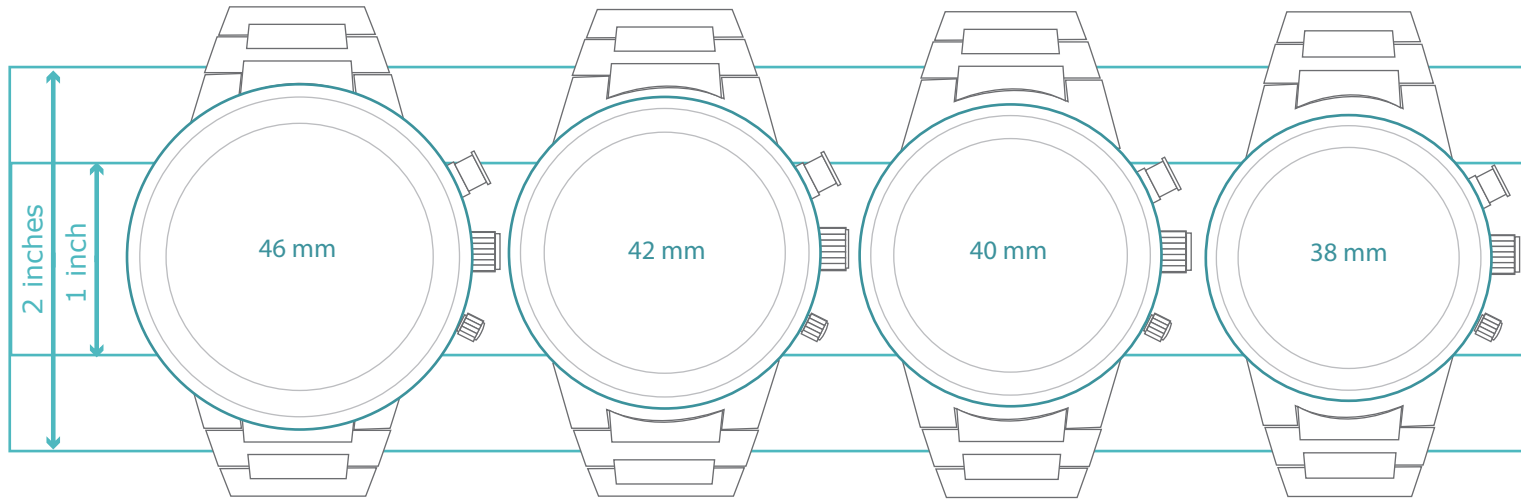


VIALUXE ROUND WATCH SIZING GUIDE



Sizes may vary depending on screen resolution. For accurate sizing, please print this page at 100%.

THINGS TO REMEMBER:

Different metals have varying weights and thus will feel different on the wrist.

Titanium is generally the lightest material, followed by steel, then white & yellow gold, with Platinum normally considered to be the heaviest. Remember a watch with a bracelet has significant more weight than one on a strap.

Over the last several years, watches have trended towards larger, and larger case sizes. Bigger case sizes generally require more metal, and will often be reflected in the weight of the piece as well as a higher retail than smaller case sizes in the same brand and model.

